

THE UNITED STATES DISTRICT COURT  
DISTRICT OF NEVADA

ROPES COURSES, INC., a Michigan	)	
corporation,	)	Civil Action No.:
	)	
Plaintiff,	)	
	)	
vs.	)	<b>COMPLAINT FOR PATENT</b>
	)	<b>INFRINGEMENT</b>
WHITEWATER WEST	)	
INDUSTRIES, LTD.,	)	
d/b/a PRIME PLAY,	)	
a Canadian corporation,	)	
Defendant.	)	
_____	)	

Plaintiff ROPES COURSES, INC. hereby complains of Defendant WHITEWATER WEST INDUSTRIES, LTD., d/b/a PRIME PLAY (collectively, “Defendant”), and alleges as follows:

**JURISDICTION AND VENUE**

1. This action arises under the patent laws of the United States, 35 U.S.C. § 100, et seq. This Court has subject matter jurisdiction under 28 U.S.C. § 1338(a). Venue is proper in this judicial district under 28 U.S.C. §§ 1391(b),(c) and 1400(b).

**THE PARTIES**

2. Plaintiff is a corporation having a principal place of business at 3450 Eagle Drive, Allegan, MI 49010.

3. Upon information and belief, WHITEWATER WEST INDUSTRIES, LTD., is a Canadian Corporation having its principal place of business of 6700 McMillan Way Richmond,

BC Canada V6W 1J7, and having a telephone number of +1 (604) 273-1068, a fax number of +1 (604) 273-4518, and e-mail address of: [sales@whitewaterwest.com](mailto:sales@whitewaterwest.com)

4. Defendant has offered for sale a product that infringes Plaintiff's U.S. patent number 7,175,534, and has done business in this judicial district, and have committed acts of infringement complained of herein in this judicial district.

**COUNT ONE**

**FOR PATENT INFRINGEMENT**

5. Plaintiff realleges and incorporates the allegations set forth in paragraphs 1 through 4.

6. This is a claim for patent infringement under 35 U.S.C. §§ 271 and 281.

7. On February 13<sup>th</sup>, 2007, the United States Patent and Trademark Office duly and lawfully issued U.S. Patent No. 7,175,534 ("534 patent"), entitled "Challenge Course" to James A. Liggett, owner of ROPES COURSES, INC. A true and correct copy of the patent is attached hereto as Exhibit 1.

8. Subsequent to issuance the 534 patent was assigned to Plaintiff, ROPES COURSES, INC..

9. Plaintiff is the owner of the entire right, title, and interest in and to the patent by assignment.

10. Without authorization from plaintiff, defendant has directly infringed and are currently directly infringing the patent in-suit by making, using, selling, offering to sell, and/or importing the 534 patent.

11. Defendant's product called "adrene LINE" directly infringes on the 534 patent, and infringed under the doctrine of equivalents.

12. Without authorization from plaintiff, defendant has indirectly infringed and are currently indirectly infringing the patent in-suit by inducing infringement by aiding and abetting the infringing use of the 534 patent by others, and by contributing to the infringement of others by making, selling, offering to sell, and/or importing the 534 patent with no substantial non-infringing use.

13. Upon information and belief, the infringement by defendant has been willful, intentional, and deliberate with full knowledge of the patent in-suit. This is an exceptional case within the meaning of 35 U.S.C. § 285.

14. Upon information and belief, plaintiff has been and will continue to be irreparably injured by defendant's infringement of the patent in-suit, and for which plaintiff has no adequate remedy at law, and such acts will continue unless and until defendant is enjoined therefrom.

15. Upon information and belief, defendant has derived and received, and will continue to derive and receive, gains, profits, and advantages from the aforesaid acts of infringement in an amount which is not presently known to plaintiff. By reason of the aforesaid acts, plaintiff has been damaged and is entitled to monetary relief in an amount to be proven at trial.

**PRAYER FOR RELIEF**

WHEREFORE, plaintiff prays for judgment in its favor against defendant for the following relief:

A. For an Order adjudging defendant to have infringed U.S. Patent No. 7,175,534 under 35 U.S.C. § 271;

B. For a preliminary and permanent injunction pursuant to 35 U.S.C. § 283 enjoining defendant their officer, agents, servants, employees, and attorneys, and those persons in active

concert or participation with them from directly and indirectly infringing U.S. Patent No. 7,175,534;

C. For an accounting of all gains, profits, any advantages derived by the infringement of U.S. Patent No. 7,175,534 defendant and a recovery of the compensatory damages of plaintiff pursuant to 35 U.S.C. § 284;

D. For an Order adjudging defendant to have willfully and deliberately infringed U.S. Patent No. 7,175,534;

E. For increased damages of treble the amount of actual damages pursuant to 35 U.S.C. § 284 for the willful and deliberate infringement of U.S. Patent No. 7,175,534 by defendant;

F. For an assessment of pre-judgment and post-judgment interest and costs against defendant, together with an award of such interest and costs, pursuant to 35 U.S.C. § 284;

G. For an Order adjudging this an exceptional case pursuant to 35 U.S.C. § 285;

H. For an award to plaintiff ROPES COURSES, INC. of the attorney's fees incurred by it in connection with this action pursuant to 35 U.S.C. § 285; and,

I. For such other and further relief as this Court may deem just and proper.

Date: 18 November 2009

/s/ Robert J. Sayfie  
Robert J. Sayfie (P45267)  
Robert J. Sayfie, P.C.  
*Attorney for Plaintiff*  
161 Ottawa Ave., Suite 407  
Grand Rapids, MI 49503  
Phone: 616-774-9244

# EXHIBIT 1

(12) **United States Patent**  
**Liggett**

(10) **Patent No.:** US 7,175,534 B2  
 (45) **Date of Patent:** Feb. 13, 2007

(54) **CHALLENGE COURSE**

5,885,189 A \* 3/1999 Lane et al. .... 482/38  
 6,443,849 B1 9/2002 Byrd  
 6,666,773 B1 \* 12/2003 Richardson ..... 472/49

(76) Inventor: **James Allen Liggett**, 3450 Eagle Dr.,  
 Allegan, MI (US) 49010

**OTHER PUBLICATIONS**

(\* ) Notice: Subject to any disclaimer, the term of this patent is extended or adjusted under 35 U.S.C. 154(b) by 65 days.

A product seen at www.spectrumsports.com, named the ROPE-A-PHOBIA(R), a 3 page printout is enclosed.

\* cited by examiner

(21) Appl. No.: **11/017,877**

*Primary Examiner*—Kien Nguyen

(22) Filed: **Dec. 21, 2004**

(57) **ABSTRACT**

(65) **Prior Publication Data**

US 2006/0135272 A1 Jun. 22, 2006

(51) **Int. Cl.**  
**A63G 1/00** (2006.01)

(52) **U.S. Cl.** ..... 472/15; 472/136; 482/35

(58) **Field of Classification Search** ..... 472/14,  
 472/15, 49, 50, 136; 434/247, 255; 482/35-43;  
 182/36-39; 104/87

See application file for complete search history.

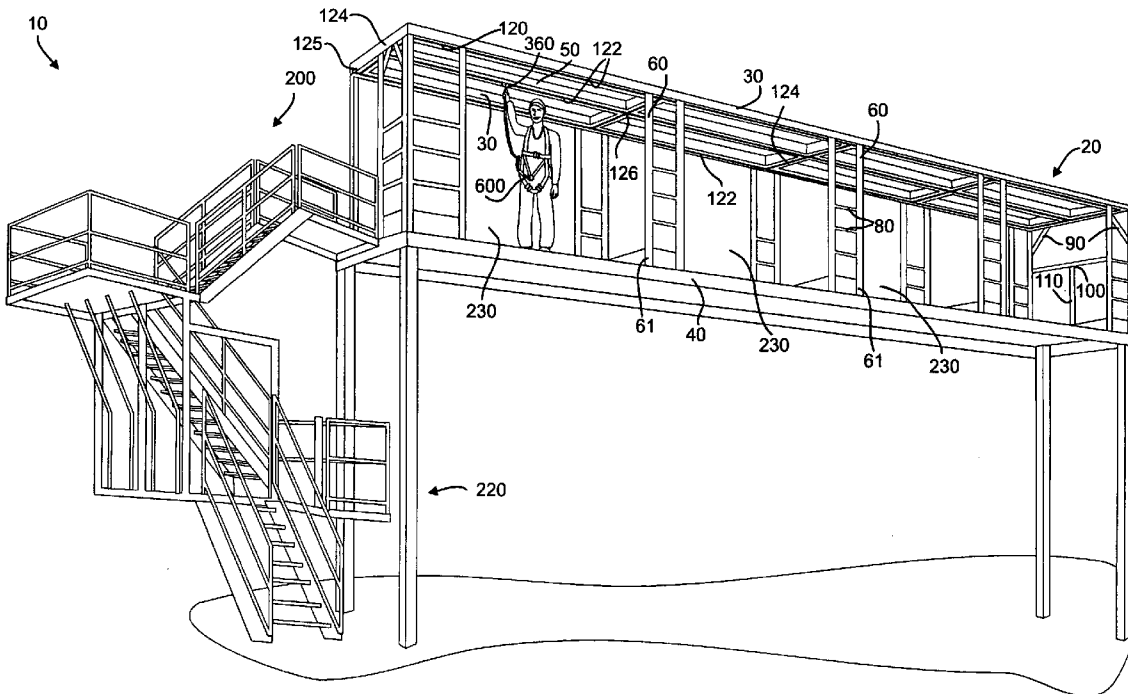
A challenge course (10) comprising a frame (20) having a substantially horizontally oriented track (120), a vertically oriented column (60) fixed to and extending downwardly from said substantially horizontally oriented track beam (30), said vertically oriented column (60) terminating in a bottom portion that is fixed to a substantially oriented foundation (40). The track (120) has a channel (150) therein in which a moveable member (360) slides. The track (120) has interchanges whereby the moveable member (360) can be moved in one of different directions. Descending downwardly from said moveable member (360) is a safety cable (350). The safety cable (350) extending downwardly to a safety harness (600). A further embodiment includes the challenge course (10) that can be deployed and re-deployed by hauling with a motor-vehicle. Further, a participant can be secured to the track (120) while still on the ground before ascending to the activity height.

(56) **References Cited**

**U.S. PATENT DOCUMENTS**

2,365,117 A \* 12/1944 Stafford et al. .... 482/37  
 3,270,441 A \* 9/1966 Hewes et al. .... 434/255  
 3,563,539 A \* 2/1971 Rogers et al. .... 482/37  
 4,737,107 A \* 4/1988 Bories et al. .... 434/29  
 5,468,199 A \* 11/1995 Keeler et al. .... 482/35  
 5,667,461 A \* 9/1997 Hall ..... 482/69

**15 Claims, 7 Drawing Sheets**









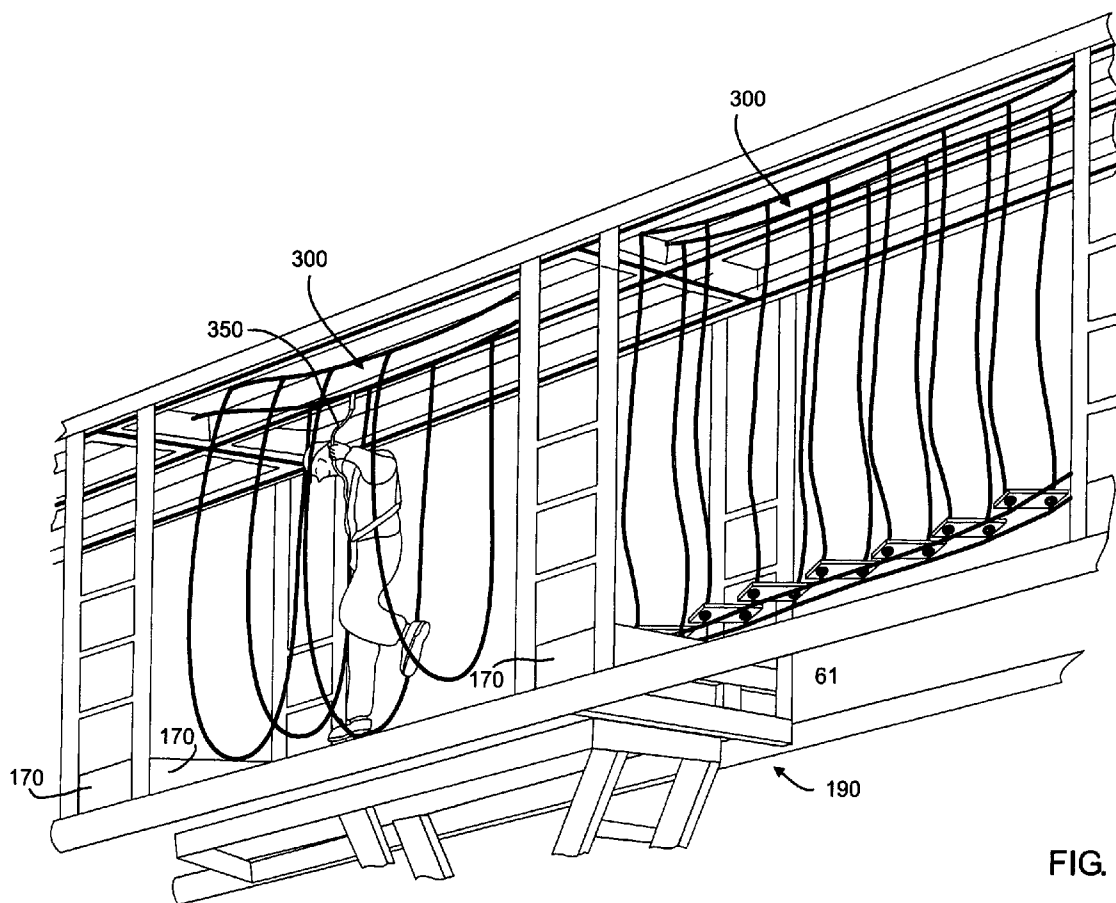


FIG. 3

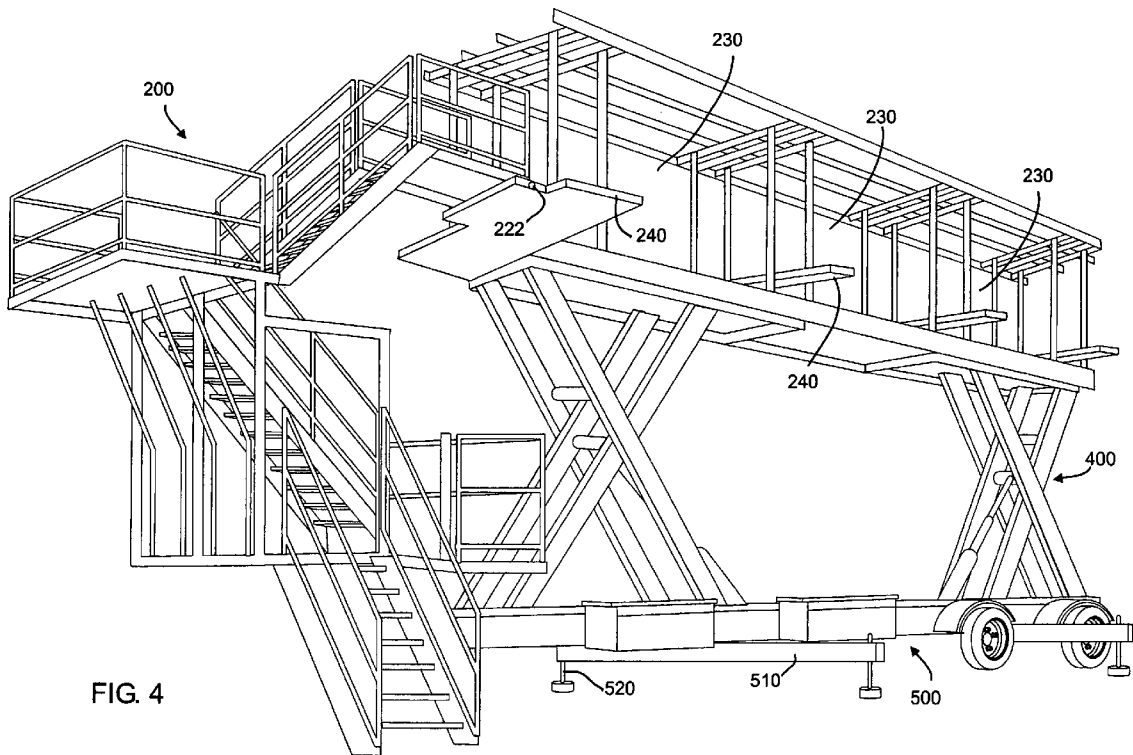


FIG. 4

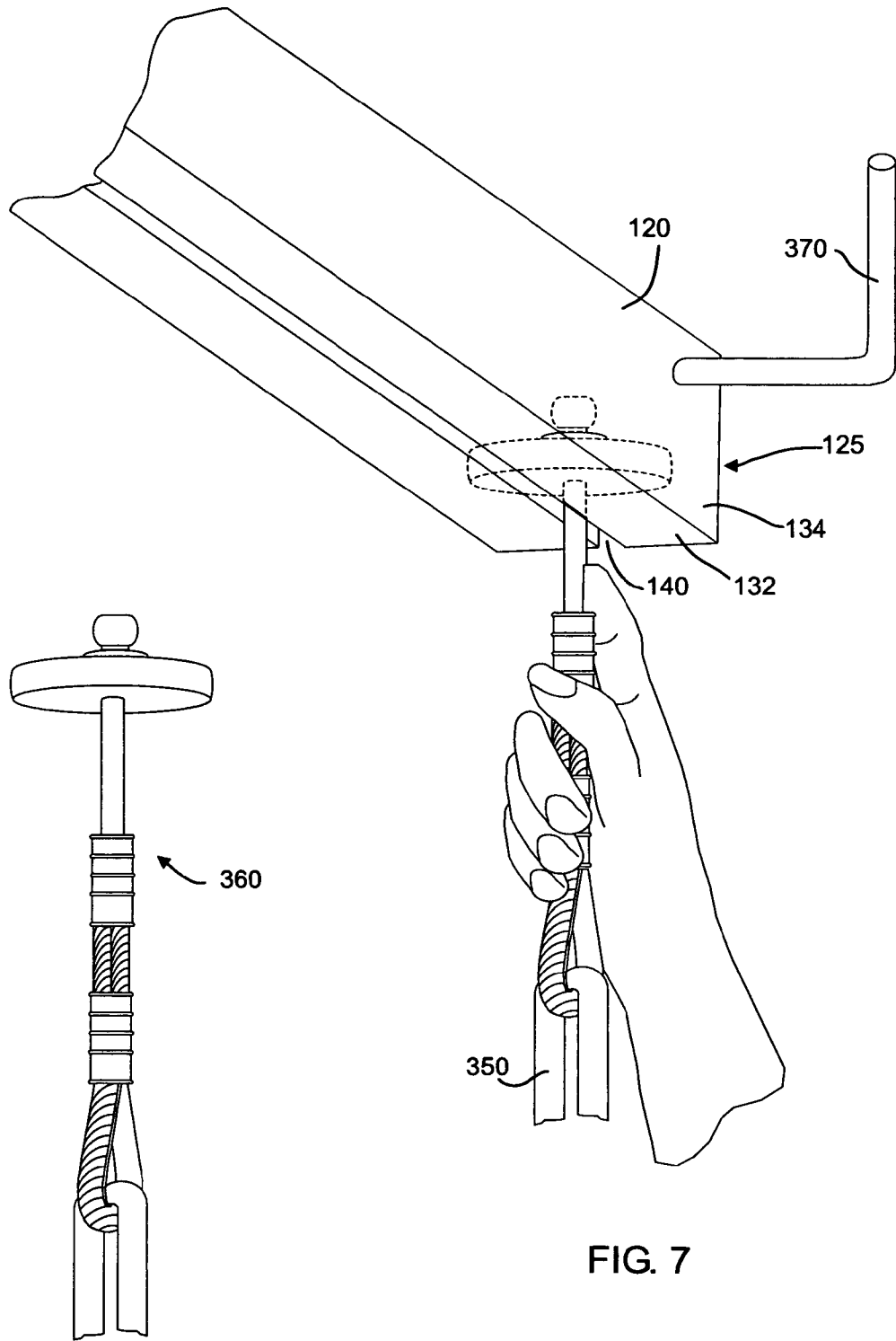


FIG. 5

FIG. 7

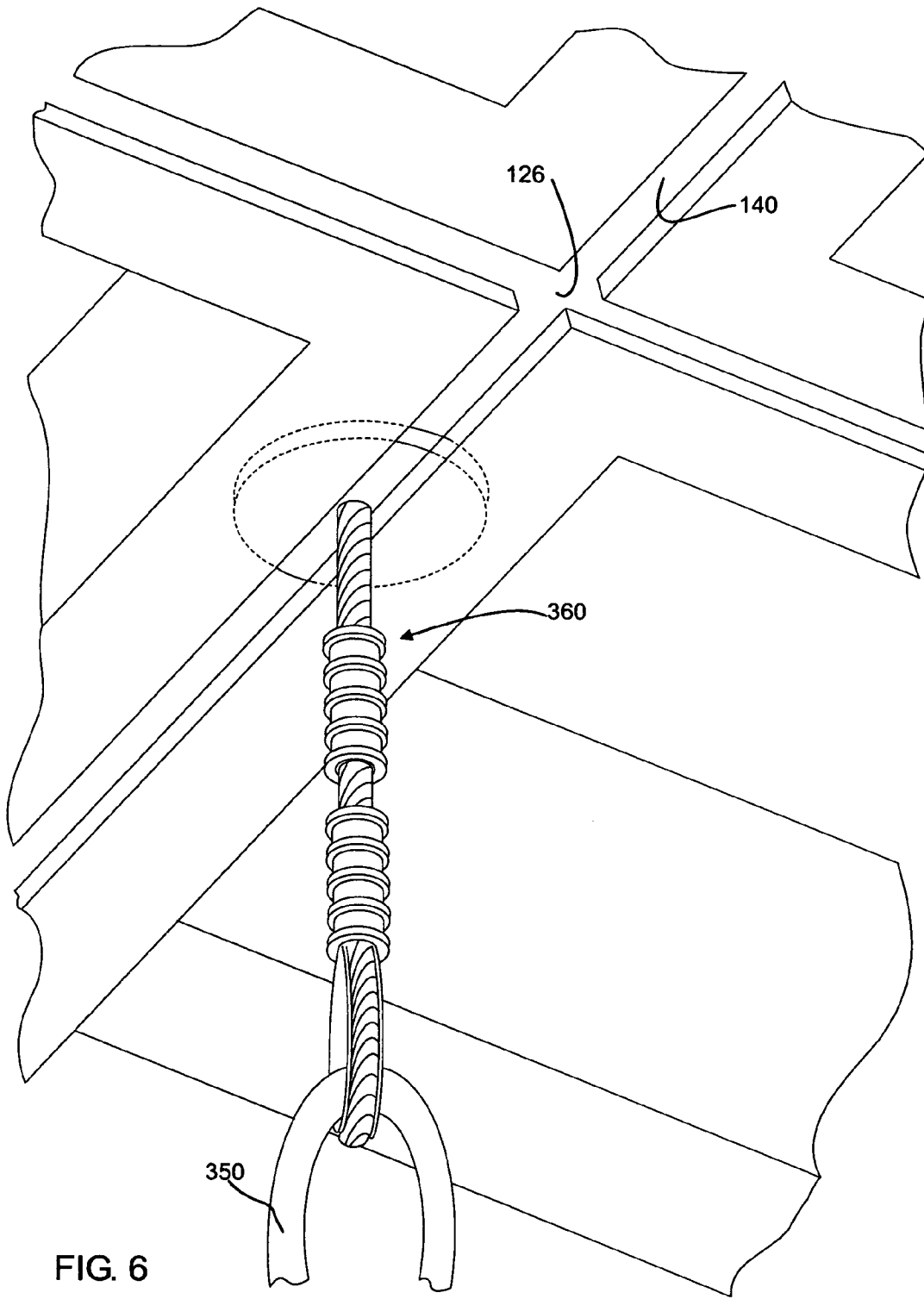


FIG. 6

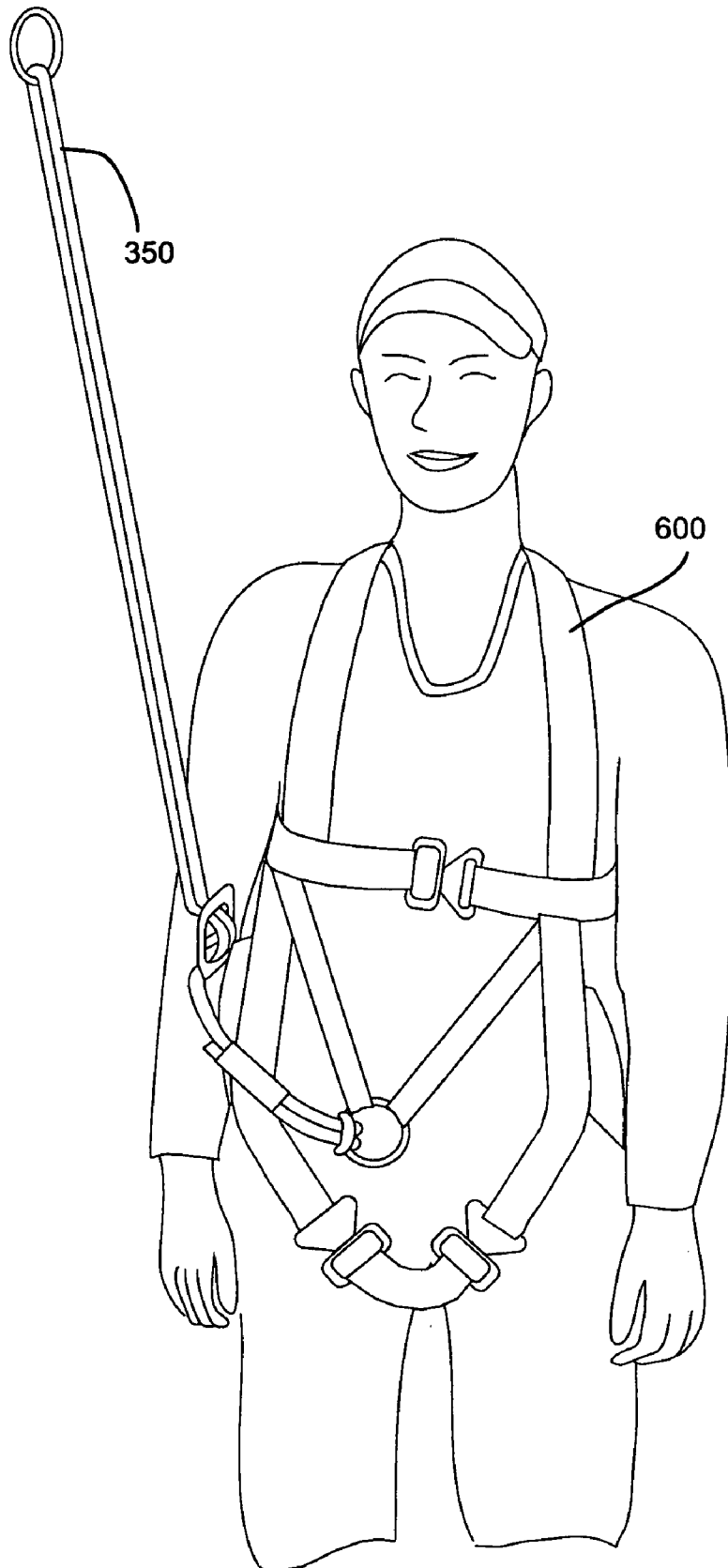


FIG. 8

US 7,175,534 B2

1

**CHALLENGE COURSE**

## FIELD OF THE INVENTION

This invention relates to an apparatus in which participants are challenged to walk or scale various elements while elevated above the ground, which can test the participant's skills such as confidence or group problem solving.

## BACKGROUND OF THE INVENTION

Challenge courses are structures that allow a person or team to challenge themselves by participating in various events such as walking along swinging ropes or planks, at elevated heights. These courses are also used to train military personnel. These courses are also used at recreational parks or other such centers that have go-carts and miniature golf.

The invention is a challenge course that is not required to be secured to the earth, although it can be utilized in such a manner.

There further exists a need for a challenge course in which the participant is secured to the safety cable before reaching the activity height, such as at the ground level.

There further exists a need for a deployable or portable challenge course that can be disposed on a flat-bed trailer, hauled behind a motor vehicle, or otherwise be mobile and deployable, and re-deployable.

There also exists the need to increase the flow and capacity of participants to allow for increased traffic flow.

Multiple embodiments of the system are disclosed herein. It will be understood that other objects and purposes of the invention, and variations thereof, will be apparent upon reading the following specification and inspecting the accompanying drawings.

## BRIEF SUMMARY OF THE INVENTION

The present invention enables people to have fun by participating in the challenge course by challenging themselves to do something they have never done before, walk along and otherwise dangerous terrain and elevated heights, while being safely secured to a safety cable.

The invention allows for a high volume of participants.

The inventions allows for elevated confidence building, and elevated team building activities.

The invention allows for participants to be secured before reaching the height at which the activity is performed.

The invention allows participants to choose from an array of challenging elements to traverse while elevated away from the ground, and while secured to a tracking system that enables the participant to be secured above the element.

The challenge course is not required to be secured directly to the earth. The challenge course can be moved and deployed at various locations. This can be done by being hauled by a motor vehicle.

## BRIEF DESCRIPTION OF THE DRAWINGS

FIG. 1 is a pictorial view of a challenge course.

FIG. 2 is a sectional view of a track system of the challenge course.

FIG. 3 is a second pictorial view of the challenge course.

FIG. 4 is a third pictorial view of the challenge course.

FIG. 5 is a pictorial view of a moveable member of a safety cable.

2

FIG. 6 is a first pictorial view of the safety cable secured in the tracking system.

FIG. 7 is a second pictorial view of the safety cable secured in the tracking system.

FIG. 8 is a pictorial view of a body harness.

Certain terminology will be used in the following description for convenience and reference only, and will not be limiting. For example, the words "upwardly," "downwardly," "rightwardly," and "leftwardly" will refer to directions in the drawings to which reference is made. The words "inwardly" and "outwardly" will refer to directions toward and away from, respectively, the geometric center of the system and designated parts. Said terminology will include the words specifically mentioned, derivatives, and similar words.

## REFERENC NUMERALS USED IN THE DRAWINGS

10 challenge course  
 20 frame  
 30 horizontally oriented beam  
 40 foundation  
 50 horizontally oriented center beam  
 60 vertically oriented column  
 80 horizontal bar  
 90 cross brace  
 110 vertical support brace  
 120 Track  
 122 Lengthwise lane  
 124 Widthwise lane  
 125 Track slot  
 126 Interchange  
 130 L-shaped member  
 132 L-shaped member horizontally oriented plate  
 134 L-shaped member vertically oriented plate  
 140 opening  
 150 channel  
 170 platform  
 180 widthwise lift support member  
 190 lengthwise lift support member  
 200 access means  
 220 access means  
 222 hinge mechanism  
 230 Bay  
 240 Standing platform  
 300 elements  
 350 safety cable  
 360 moveable member  
 370 locking member  
 400 biasing unit  
 500 trailer  
 510 trailer support deck  
 520 Trailer support  
 525 vertically oriented legs  
 600 safety harness

## DETAILED DESCRIPTION

FIG. 1 illustrates an embodiment of an apparatus for recreation, confidence building, group problem solving and team play on a challenge course 10. The challenge course 10 is constructed of a rigid frame 20 that is elevated above the ground. The participants walk on elements 300, as best shown in FIG. 3. The participants are secured to a harness cable 350, as best seen in FIGS. 3 and 6, via a body harness 600, as shown in FIG. 8. Participants enter from the ground

US 7,175,534 B2

3

level through an access means 220 to the frame 20. The ascending unit can be a stairway 200 as seen in FIG. 4. Although the figures show one access means 220, there can be more than one access means 220 connected to the frame 20.

The frame 20 has a substantially horizontally oriented track beam 30, a vertically oriented column 60 fixed to and extending downwardly from said substantially horizontally oriented track beam 30, said vertically oriented column 60 terminating in a bottom portion that is fixed to a substantially oriented foundation 40.

A horizontally oriented platform 170 is fixedly disposed to widthwisely opposed vertically oriented column 60 bottom portion 61.

An element 300 is fixed at two ends between two lengthwisely adjacent bottom portions (61).

The track 120 integral with a horizontally oriented track beam 30, said track 120 adapted to receive safety cable throughout said track 120.

FIG. 1 displays a track 120 that has three lengthwise lanes 122, and five widthwise lanes 124. The elements 300 (best seen in FIG. 3) are separated by platforms 170 (best seen in FIG. 3), forming bays 230 (best seen in FIG. 4) there between.

The track 120 has an interchange 126 that enable the user to change direction and move from a lengthwise lane 122 to a widthwise lane 124. Although the lanes 122, 124 are shown to be parallel and perpendicular to one another, they can be curved, or serpentine shaped.

As the participant is traversing across the platforms 170 and elements 300, there is enough slack in the safety cable 350 causing no load on the track 120. In one embodiment, the maximum slack is about 12 inches.

As illustrated in FIG. 5, the safety cable 350 is secured to a moveable member 360. In one embodiment the moveable member 360 is made of the material known as UHMW. However other materials may be used. The UHMW provides for easy sliding along the track 120 due to the low friction forces. The moveable member 360 moves within the track 120.

As illustrated in FIG. 2, the track 120 is has two L-shaped members 130. The L-shaped member 130 has an L-shaped vertically oriented portion 134, and a L-shaped member horizontally oriented portion 132, whereby the two opposed L-shaped members 130 form a channel 150 between two opposed L-shaped members 130. The two L-shaped member horizontally oriented portions 132 extend towards the opposed L-shaped member horizontally oriented portion 132, so as to define an opening 140 there between. The opening 140 allows the safety cable 350 to descend from the moveable member 360 to the safety harness 600. Although the moveable member 360 contains the word member, this invention also teaches and suggests that the moveable member 360 is not required to be circular. The moveable member 360 can be any shape, such as square, triangular, or amorphous shaped.

FIG. 8 shows the safety harness 600, which is also known as a full-body harness because it secures the participant above the shoulders around the back of the neck, and between the legs. The safety harness 600 can be secured to the safety cable 350 in the front of the participant (as shown in FIG. 8), or in the back of the participant (not shown).

The moveable member 360 can enter and exit the channel 150 through a track slot 125, as shown in FIGS. 1 and 7. A locking member 370 prevents the moveable member 360 from inadvertently being removed from the channel 150.

4

In one embodiment, there is only one track slot 125 located near the ground, which is also near the bottom of the access means 220 (not shown). It is also at this location that the participant is secured in the safety harness 600. In this embodiment, the participant is secured relative to the track 120 from the moment they begin to ascend upwards from the ground, to the point of return at ground level.

The frame 20 of challenge course 10, the frame 20 is fabricated of components constituting steel tubes, angle rods and connecting nipples, L's and T's which are readily available with low maintenance cost, reducing greatly the cost of production of the invention. In one embodiment the frame 20 a track 120 extends 53 feet in length and 8 feet in width and has three or more bays 230. A shorter version has two bays 230 (not shown). The two-bay 230 version would be convenient for hauling behind smaller vehicles, such as pick-up trucks.

In a further embodiment, the challenge course 10 is able to ascend and descend via a biasing unit 400. In this embodiment the challenge course 10 can be deployed and re-deployed. The challenge course 10 can be biasly disposed on a flat bed trailer. Then it can be driven to a location. At this location an access means 220 can be hingedly attached by a hinge member or hinge mechanism 222. Then the challenge course 10 can be biased upwardly via the biasing unit 400. Further, it can be moved from one location by another by a truck, as shown in FIG. 4. The challenge course 10 can be biased up and down while the access means 220 is attached, by means of a hinge mechanism 222 (as shown in FIG. 4). The access means 220 is removeably attached to the frame 20 near the hinge mechanism 222.

Some of the elements 300 are comprised of combination rope-cable. This provides for less displacement due the weight of the participant.

In accordance with the illustrative embodiment of the present invention an access means 220, such as a staircase (as shown in FIG. 1) is positioned at one end of the challenge course 10 to allow easy access to the challenge course 10. One or more biasing members 400, such as vertically extending scissor lifts placed on top of a trailer support deck 510 elevate the frame 20 of the challenge course 10 to a desired position, also known as the activity height. One embodiment has a desired activity height of 30 feet as measured from the ground to a bottom of the platform 40. The frame 20 can be extended vertically by means of a hydraulic cylinders and a retractable piston shaft fixedly attached at one end to the trailer support deck 510. A trailer support 520 extends vertically from the trailer support deck 510 to firmly hold the challenge course 10 to its position in resting phase.

In a further embodiment, in operation, at the start and end of each bay 230 are large platforms 240 for group congregation in team plays. In one embodiment, in which there are constructed three lengthwise parallel tracks 120, each platform 240 has three or more interchangeable elements 300 on the course 10 with total of nine or more elements.

The safety cable 350 is fastened to the overhead tracking system or track 120 and slides along with the user to each element 300.

The bay 230 and track 120 configuration as shown in FIG. 1 allows for 12 varied elements 300 because three elements 300 can be disposed per bay 230, between adjacent platforms 170 under the three tracks 120 as shown in FIG. 1. Thus with five platforms 170, there is four bays 230, thus there could be a total of 12 different elements 300.

FIG. 4 shows an embodiment in which the challenge course 10 preferably includes a vehicle driven portable



## US 7,175,534 B2

5

trailer **500**, the surface of which forms a lift support deck **510**. Placed below the deck **510** are retractable legs having four or more outer retractable legs and inner retractable legs with pedestal, extending horizontally below the surface on both sides of the deck, firmly anchoring the challenge course **10** to the earth.

FIG. **4** is a representation the trailer **500** having retractable legs **520** extending therefrom, terminating in a distal portion. The retractable legs **520** having vertically oriented legs **525** removeably secured to said distal portion to firmly secure the trailer **500** to the ground.

FIG. **5** show details of safety cable **350** and the moveable member **360**. In one embodiment the moveable member **360** is about 1/2 inch thick and has a diameter of about 2 3/4 inches. The moveable member **360** has a hole in the center to which a portion of the safety cable **350** is secured there through.

Although the invention has been described in terms of specific embodiment in the foregoing specification, however, the invention which intended to be protected is not to be construed as limited to the particular embodiment disclosed any variation and modification that are equivalent in scope to the claims fall within the scope of the present invention.

I claim:

1. A challenge course (**10**) comprising:
  - a frame (**20**) having a substantially horizontally oriented track (**120**), a vertically oriented member (**60**) fixed to and extending downwardly from said substantially horizontally oriented track (**120**), said vertically oriented column (**60**) terminating in a bottom portion (**61**) that is fixed to a substantially horizontally oriented foundation (**40**);
  - said track (**120**) having a channel (**150**) adapted to slideably receive a moveable member (**360**), said track (**120**) further having a track slot (**140**) to receive a safety cable (**350**) therethrough, said safety cable (**350**) extending downwardly through said track slot (**140**) from said moveable member (**360**);
  - a horizontally oriented platform (**170**) fixedly disposed said to widthwisely opposed vertically oriented column (**60**) bottom portions (**61**); and
  - a supporting element (**300**) fixed at two ends between two lengthwisely adjacent bottom portions (**61**).
2. The challenge course (**10**) of claim 1, further comprising:
  - the frame (**20**) that is disposed at an elevated height off of the ground.
3. The challenge course (**10**) of claim 1, further comprising:
  - said track (**120**) having two opposed L-shaped members (**130**), said two opposed L-shaped members (**130**) each having an L-shaped member vertically oriented plate (**132**) extending downwardly from a rigid horizontally oriented track beam (**30**), said L-shaped member (**130**) further having an L-shaped member horizontally oriented plate (**134**) extending inwardly from said L-shaped member vertically oriented plate (**132**) to define the opening (**140**) between each of said L-shaped member horizontally oriented plate (**134**), said opposed L-shaped members (**130**) further define the channel (**150**) therebetween;
  - whereby the moveable member can freely slide within the channel (**150**), and the safety cable (**350**) can freely slide through said opening (**140**) and yet be securely retained within said channel (**150**) to prevent the safety cable from becoming removed from said channel (**150**).

6

4. The challenge course (**10**) of claim 1, further comprising:

the safety cable (**350**) extending downwardly from said moveable member (**360**) to a safety harness (**600**).

5. The challenge course (**10**) of claim 4, wherein: the participant's weight does not cause tension within the safety cable (**350**).

6. The challenge course (**10**) of claim 1, wherein: the frame (**20**) is biasly disposed on a flat-bed trailer (**500**),

whereby said frame (**20**) can be driven to various locations by the flat-bed trailer (**500**), then said frame (**20**) can be biased upwardly and downwardly.

7. The challenge course (**10**) of claim 6, further comprising:

an access means (**220**) for participants to descend upwardly to the frame (**20**).

8. The challenge course (**10**) of claim 7, further comprising:

said access means (**220**) being hingedly connected to said frame (**20**),

whereby said frame (**20**) can be biased upwardly or downwardly with said access means (**220**) hingedly connected.

9. The challenge course (**10**) of claim 1, wherein:

said track (**120**) has a track slot (**125**) to enable said moveable member (**360**) to be placed into or removed from said track (**120**); and

said track (**120**) further having a locking member (**370**) to prevent the moveable member (**360**) from inadvertently being removed from said track (**120**).

10. The challenge course (**10**) of claim 1, wherein: said track (**120**) has an interchange (**126**) where said moveable member (**360**) can be directed along a choice of track (**120**) directions.

11. The challenge course (**10**) of claim 1, wherein: said safety cable **350** has a maximum slack of about 12 inches.

12. The challenge course (**10**) of claim 1, wherein said challenge course (**10**) is able to ascend and descend via a biasing unit (**400**).

13. The challenge course (**10**) of claim 12, wherein said biasing unit (**400**) is a scissors lift.

14. A challenge course (**10**) comprising

a cube-shaped frame (**20**) that is elevated away from the surface below, said frame (**20**) having a substantially horizontally oriented track (**120**), a vertically oriented member (**60**) fixed to and extending downwardly from said substantially horizontally oriented track (**120**), said vertically oriented column (**60**) terminating in a bottom portion (**61**) that is fixed to a substantially horizontally oriented foundation (**40**);

said track (**120**) having a channel (**150**) adapted to slideably receive a moveable member (**360**), said track (**120**) further having a track slot (**140**) to receive a safety cable (**350**) therethrough, said safety cable (**350**) extending downwardly through said track slot (**140**) from said moveable member (**360**);

the safety cable (**350**) extending downwardly from said moveable member (**360**) to a safety harness (**600**);

said track (**120**) having lengthwise lanes **122** and widthwise lanes **124**, said track (**120**) being substantially disposed along one horizontally oriented plane,

said track (**120**) having two opposed L-shaped members (**130**), said two opposed L-shaped members (**130**) each having an L-shaped member vertically oriented plate (**132**) extending downwardly from a rigid horizontally



## US 7,175,534 B2

7

oriented track beam (30), said L-shaped member (130) further having an L-shaped member horizontally oriented plate (134) extending inwardly from said L-shaped member vertically oriented plate (132) to define the opening (140) between each of said L-shaped member horizontally oriented plate (134), said opposed L-shaped members (130) further define the channel (150) therebetween;

said track (120) has a track slot (125) to enable said moveable member (360) to be placed into or removed from said track (120);

said track (120) further having a locking member (370) to prevent the moveable member (360) from inadvertently being removed from said track (120);

said track (120) has an exchange (126) where said moveable member (360) can be directed along a choice of track (120) directions;

a horizontally oriented platform (170) fixedly disposed to widthwisely opposed vertically oriented column (60) bottom portion (61);

an element (300) fixed at two ends between two lengthwisely adjacent bottom portions (61);

an access means (220) for participants to descend upwardly to the frame (20);

8

said access means (220) being hingedly connected to said frame (20); and

whereby the moveable member can freely slide within the channel (150), and the safety cable (350) can freely slide through said opening (140) and yet be securely retained within said channel (150) to prevent the safety cable from becoming removed from said channel (150), and no load is caused on the track (120) by a participant when walking on elements (300) or platform (170).

15. The challenge course (10) of claim 12, wherein the frame (20) is biasly disposed on a flat-bed trailer (500);

said access means (220) being hingedly connected to said frame (20),

whereby said frame (20) can be biased upwardly or downwardly with said access means (220) hingedly connected, and said frame (20) can be driven to various locations by the flat-bed trailer (500), then said frame (20) can be biased upwardly and downwardly.

\* \* \* \* \*